



## USER INSTRUCTIONS

# LIGHT FOREST OD1 – OD2

BY **ONTWERPDUO**  
2010

Congratulations on choosing this original Light Forest designed by Ontwerpduo. We hope you will enjoy using this product and follow these instructions to ensure correct installation. If you have any questions or comments, please do not hesitate to contact us by mail on:

[info@andtradition.com](mailto:info@andtradition.com)



Please read these instructions carefully and retain them for future reference to ensure that the lamp is used correctly. For your own safety, please study each step of this instruction manual first. &tradition is not responsible for any faults or damages caused by not following these instructions correctly. Do not modify this lamp in any way.

## SAFETY PRECAUTIONS

- Dispose of plastic bag from packaging and do not allow children to play with it.
- Keep product well out of children's reach.
- The lamp is only intended for interior use.
- Lamp exterior gets hot after prolonged use.
- Do not attempt installation of product if you are not competent to do so yourself.
- Consult a professionally qualified electrician if in any doubt.
- Disconnect the electricity supply at the fuse box, before commencing work.

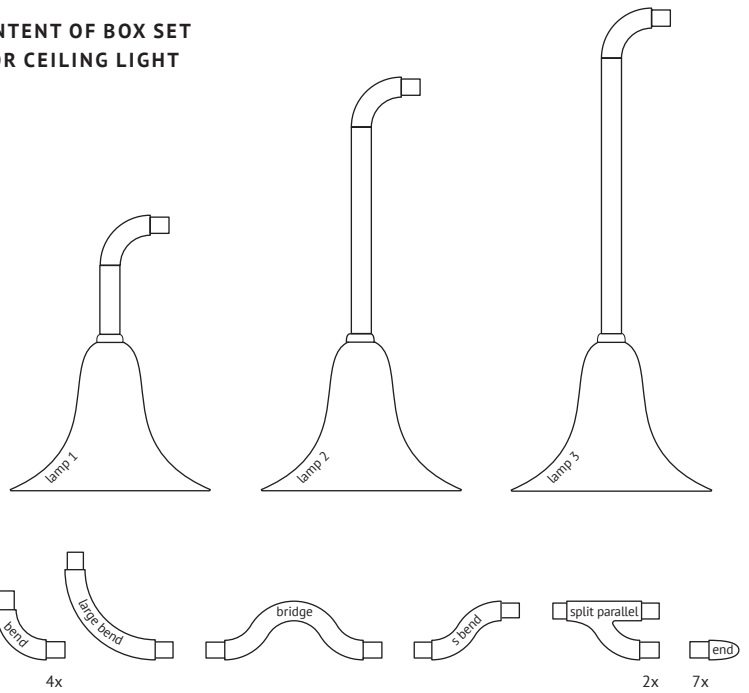
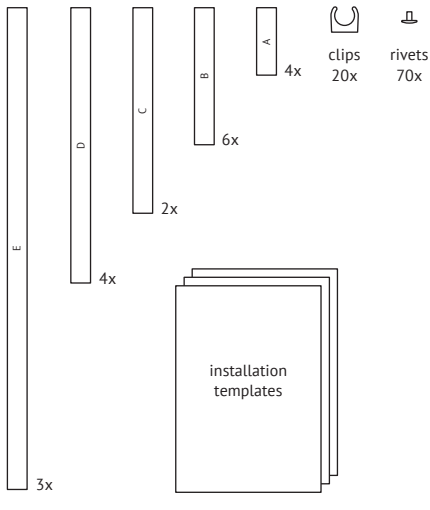
Installing the Light Forest is not difficult but requires a little work and some patience. It is recommended to set aside at least 2 hours for the assembly and installation.

## CLEANING INSTRUCTIONS

- Wipe surface of the lamp with a soft dry cloth.
- Do not use any abrasive cleaning tools such as steel wool, scouring sponges or stiff brushes.

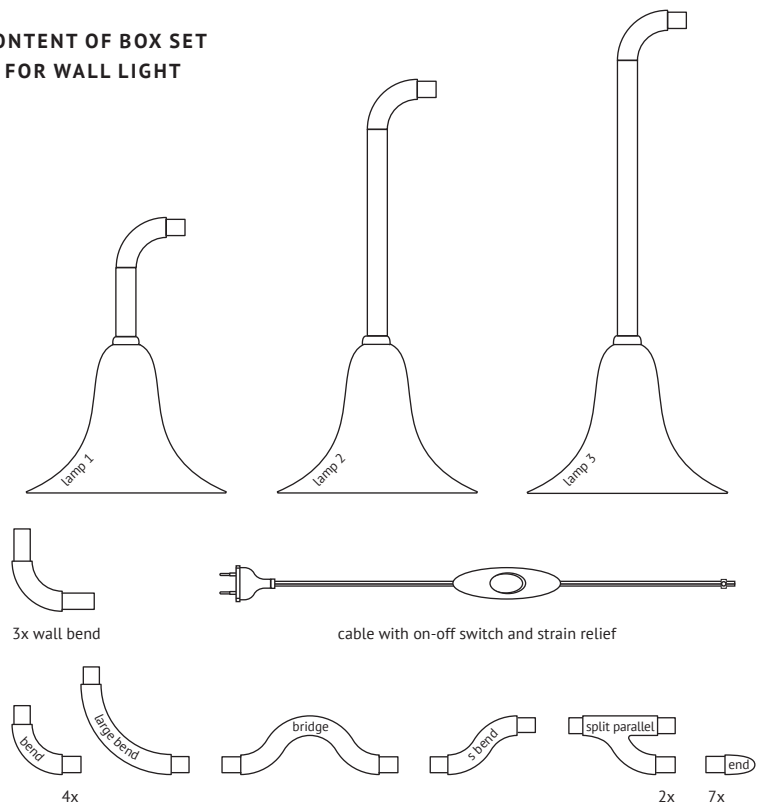
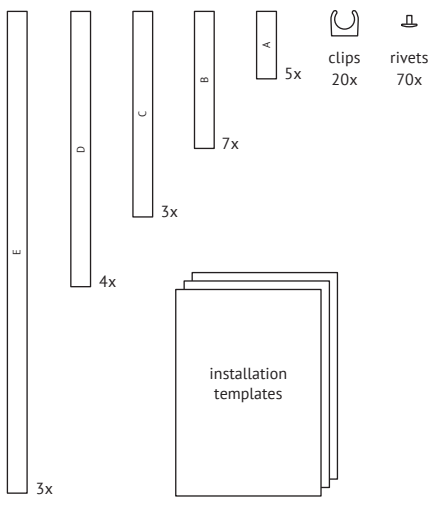
# LIGHT FOREST OD1

## CONTENT OF BOX SET FOR CEILING LIGHT



# LIGHT FOREST OD2

## CONTENT OF BOX SET FOR WALL LIGHT



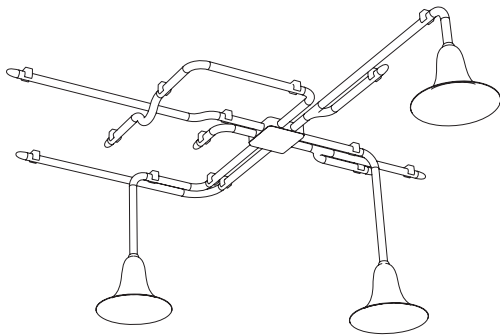
## STEP 1

Choose which Light Forest configuration to install.

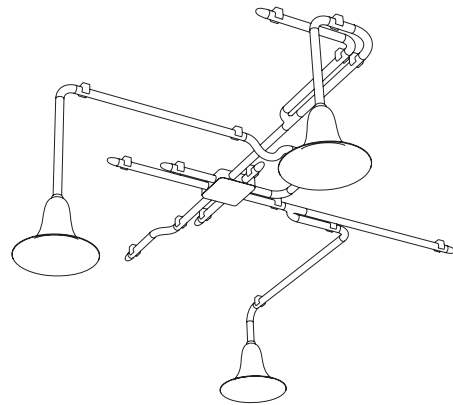
Light Forest OD1 (ceiling light) and Light Forest OD2 (wall light) can be configured in 4 different ways.

In this manual, Configuration 1 for the ceiling light is used as an example. More drawings with dimensions of each of the 8 configurations can be found in the back of the assembly instructions.

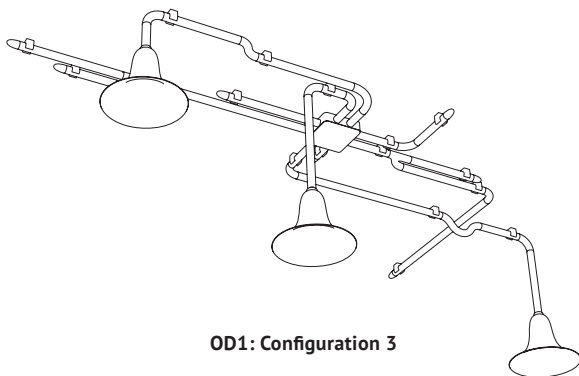
### LIGHT FOREST OD1 (CEILING LIGHT)



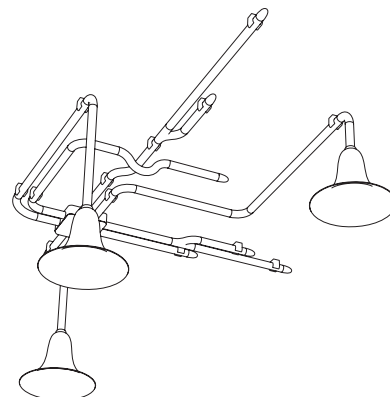
OD1: Configuration 1



OD1: Configuration 2

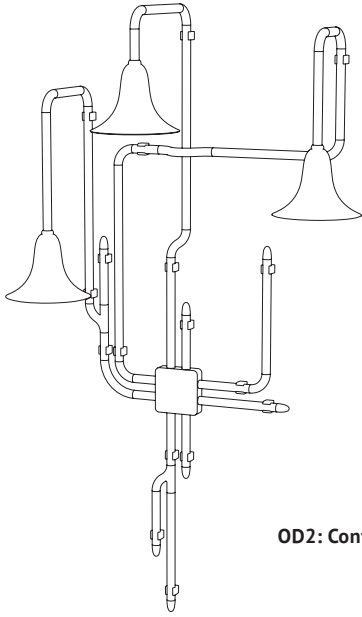


OD1: Configuration 3

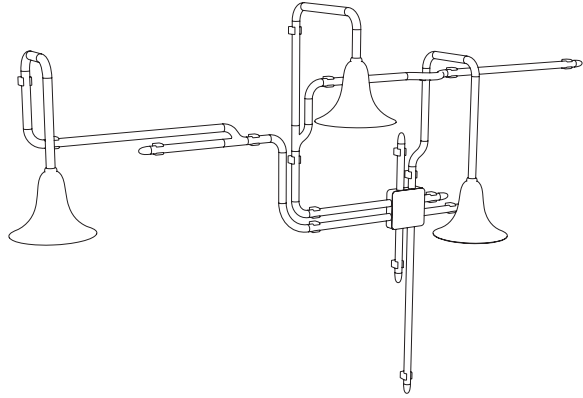


OD1: Configuration 4

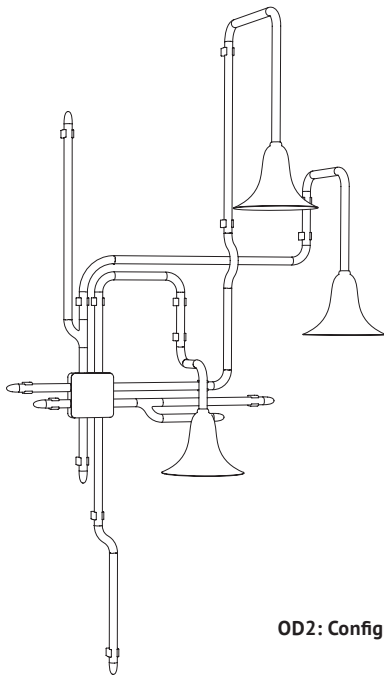
**LIGHT FOREST OD2 (WALL LIGHT)**



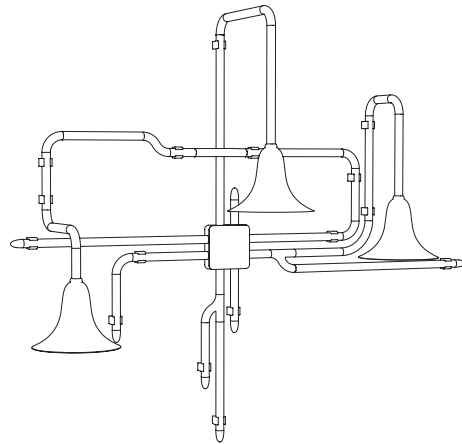
**OD2: Configuration 1**



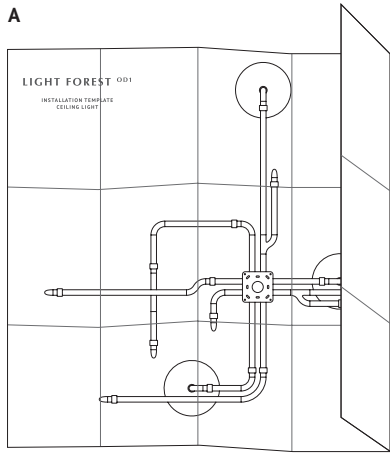
**OD2: Configuration 2**



**OD2: Configuration 3**



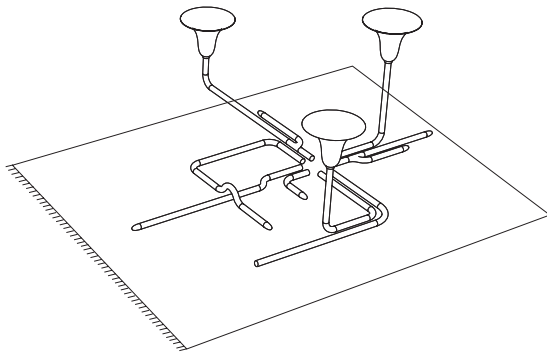
**OD2: Configuration 4**



## STEP 2

Unfold the template with the configurations and assemble the parts from the box using the template as a guide (A).

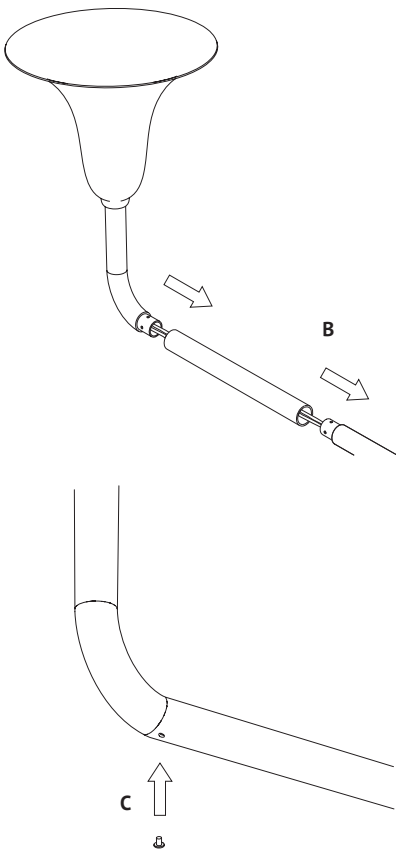
Use a soft surface like a carpet when assembling the parts to prevent damage to the Light Forest.

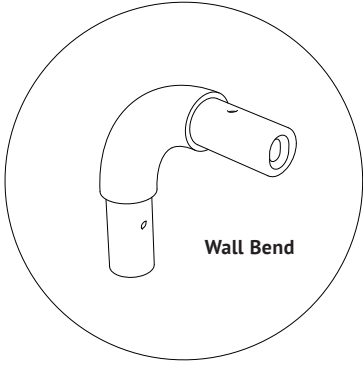


## STEP 3

When assembling, start at the lighthouse working your way towards the junction box, while lacing the cable through the parts (B).

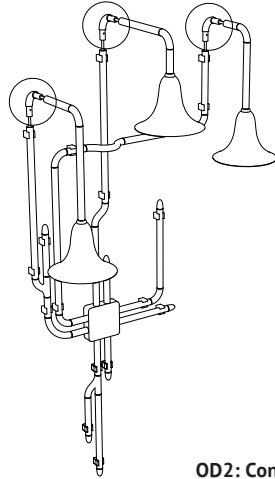
Align the holes in the plastic parts with the holes in the aluminium tubes on the bottom. Secure the parts with the tubes by pressing a rivet into the holes (C). Place the plastic rivet on the side that faces towards the ceiling or wall.



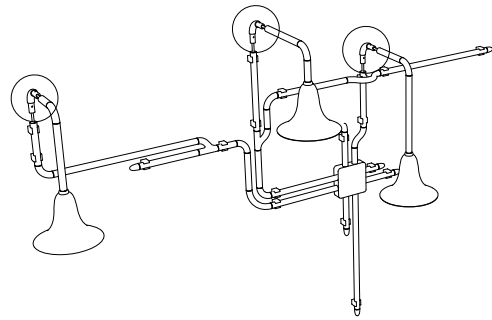


### STEP 3A (OD2 only)

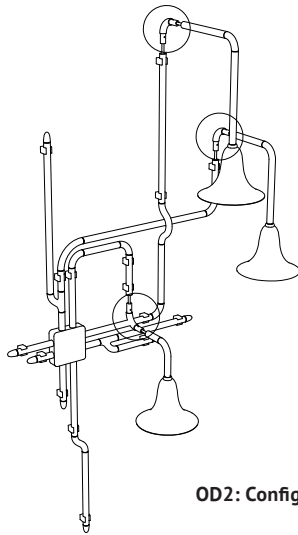
Use extra tough Wall Bend on the following locations:



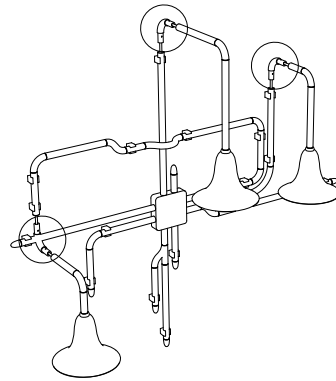
OD2: Configuration 1



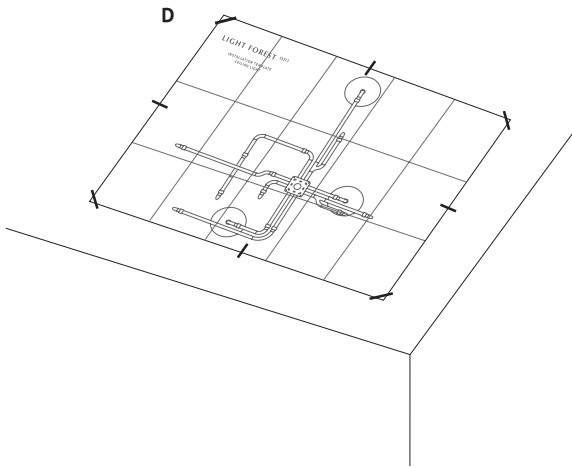
OD2: Configuration 2



OD2: Configuration 3



OD2: Configuration 4

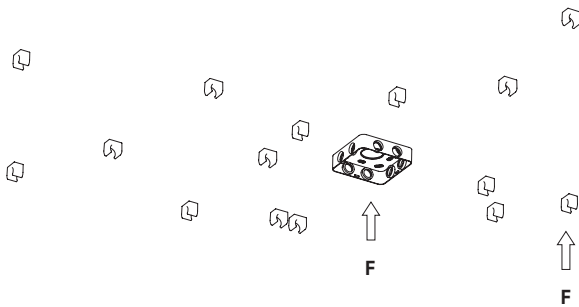
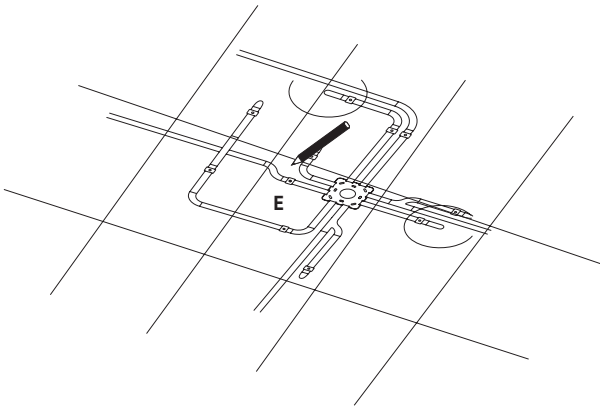


## STEP 4

Stick the template to the ceiling (or wall, for a wall version of the Light Forest) (D). Remember to use tape that will not damage the painting on your ceiling/wall, when removing it.

**Important!** Getting the template completely flat against the ceiling/wall is an important step in a successful installation of the Light Forest. This task will require a little patience. So take a deep breath and spend the time needed to get the template in place. It is recommended to make some measurements after installing the template in order to ensure it is in the correct position. For wall lights it is recommended to use a bubble level to ensure the template is positioned correctly.

Transfer the position of the holes for the clips and the junction box to the ceiling/wall, by using a sharp object, like a pencil or a screwdriver to go through the paper making a marking on the ceiling or wall (E).

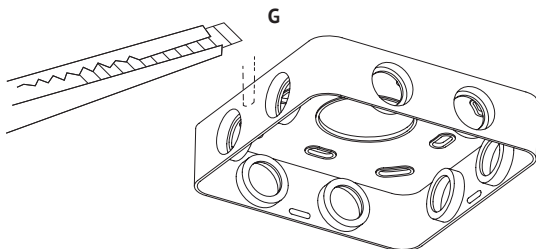


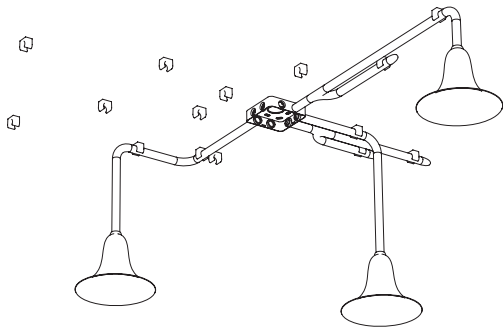
## STEP 5

Remove the template. Drill holes on the marked spots. Install appropriate plugs.

Screw the base of the junction box and the clips to the ceiling or wall (F), look for the directions of the clips on the template.

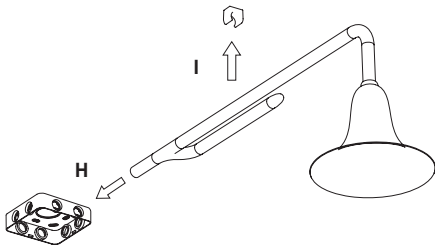
**Important!** Remember to cut out a hole for the power cord if you are not installing the junction box directly onto the power outlet in the ceiling or wall (G). The cut-out area is marked on one side of the junction box. Also, remember to align the junction box on the ceiling or wall so the cut-out hole points in the direction from where the power cord will come.





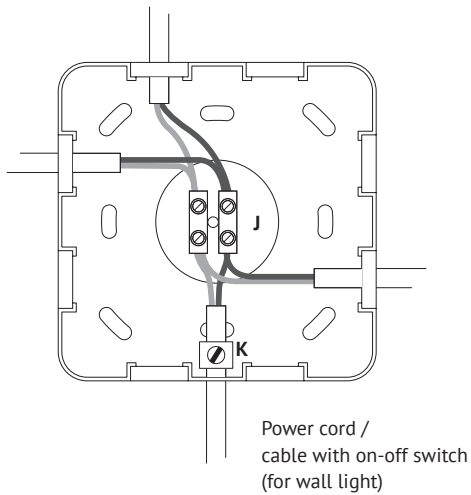
## STEP 6

Install the assembled branches one by one by carefully pressing them into the holes in the junction box (H) and then pushing them into the clips (I).



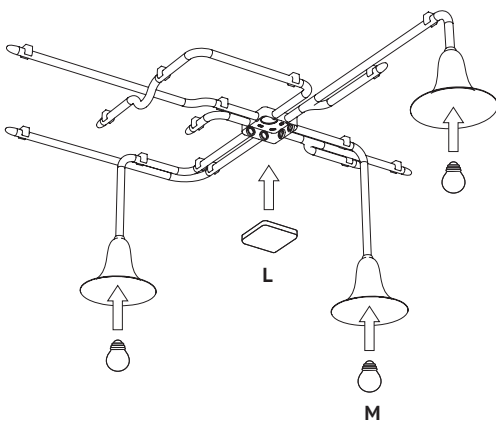
## STEP 7

Shorten the cables and connect the wires of the Light Forest with the wires from the power cord inside the junction box using the terminal block (J). Place and fasten the strain-relief (K) on the power cord inside the junction box, when using the cable with the on-off switch.



## STEP 8

Place the cap on the junction box (L) and install light bulbs (E27, max 28 watt) (M).

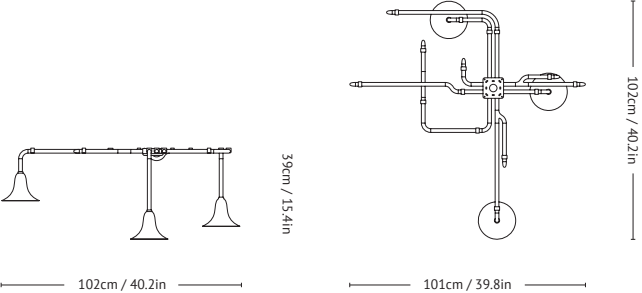


CE □ ▽ IP20 

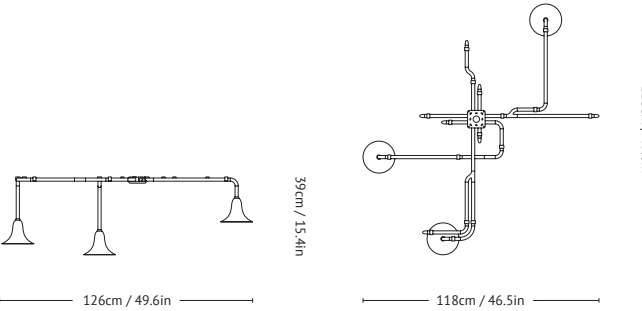
 tradition®



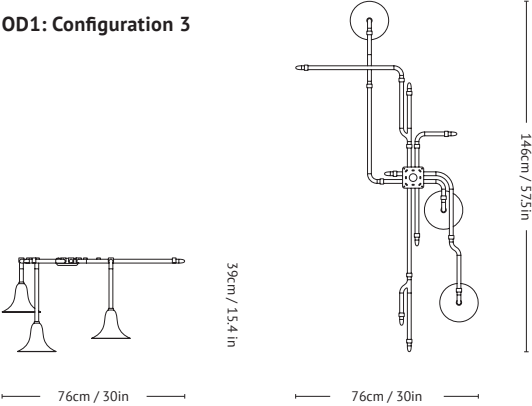
**OD1: Configuration 1**



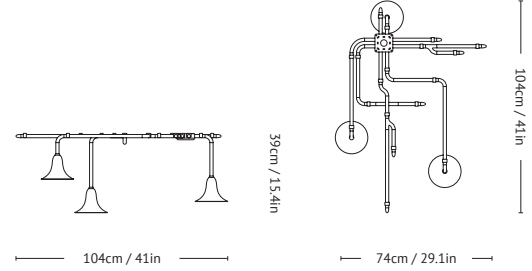
**OD1: Configuration 2**



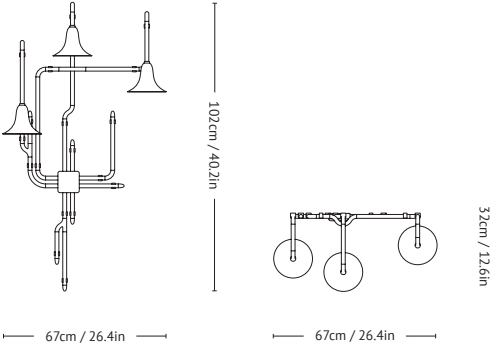
**OD1: Configuration 3**



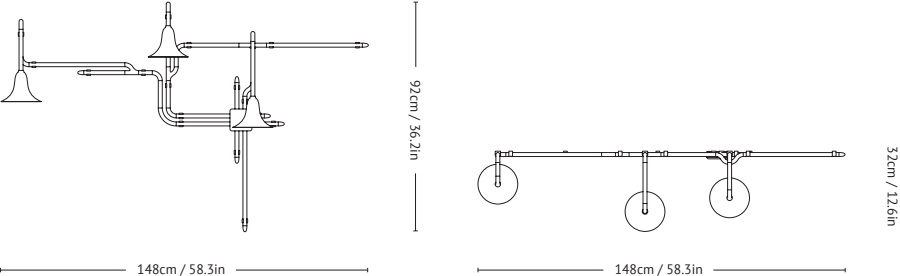
**OD1: Configuration 4**



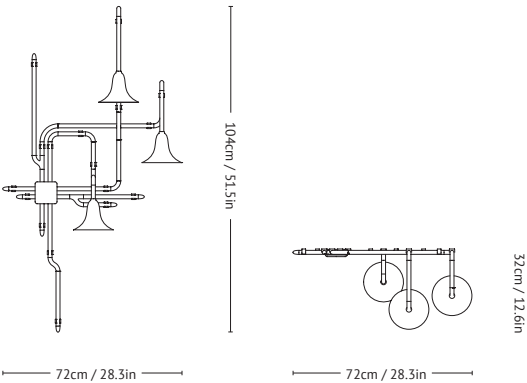
**OD2: Configuration 1**



**OD2: Configuration 2**



**OD2: Configuration 3**



**OD2: Configuration 4**

