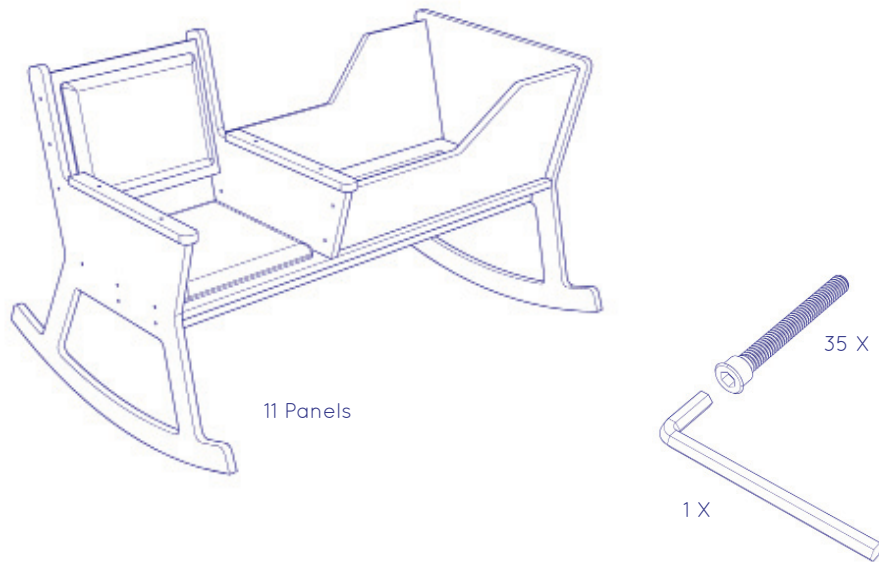


ROCKID

PRODUCT MANUAL



To assembly the Rockid:

Don't open the delivery box with a knife.

Use a blanket on the floor to protect the Rockid.

Take the parts out of the box and lay them down on the blanket.

Check the required parts. In the box are 11 panels, 35 screws and 1 tool.

The Rockid is easiest to assemble with two persons.

Follow the steps on the next pages.

Material:

Wooden parts: Beech plywood, white/grey finish.

Upholstery: 100% wool, not washable. Dry-clean only, not removeable.

made in The Netherlands

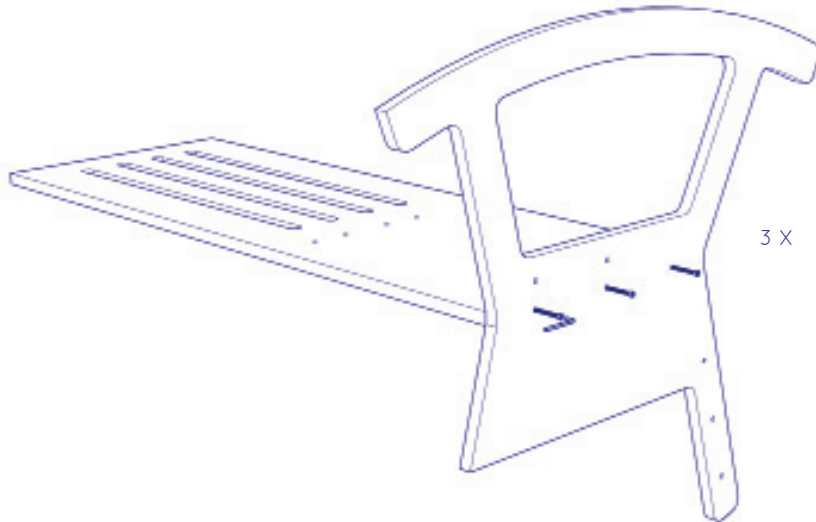


www.ontwerpduo.nl

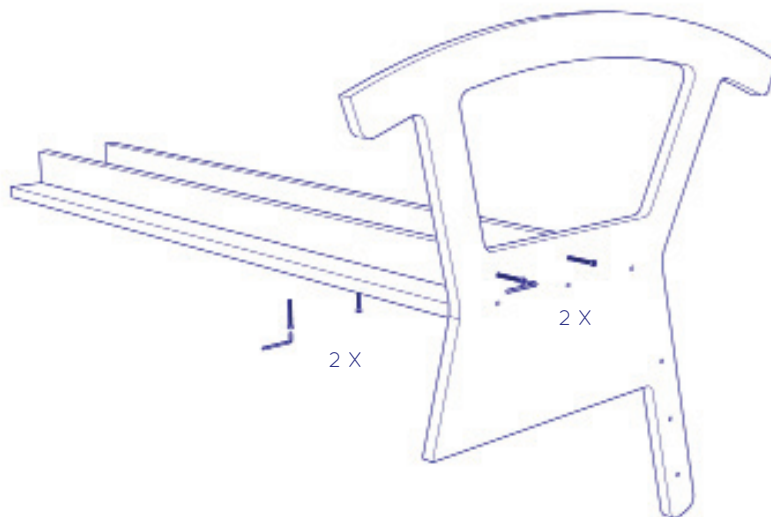
ROCKID

PRODUCT MANUAL

1



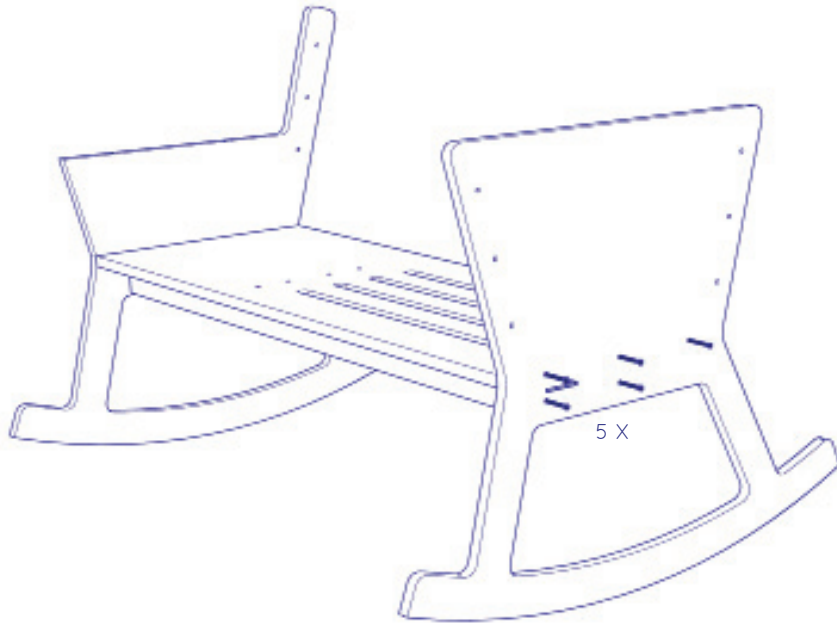
2



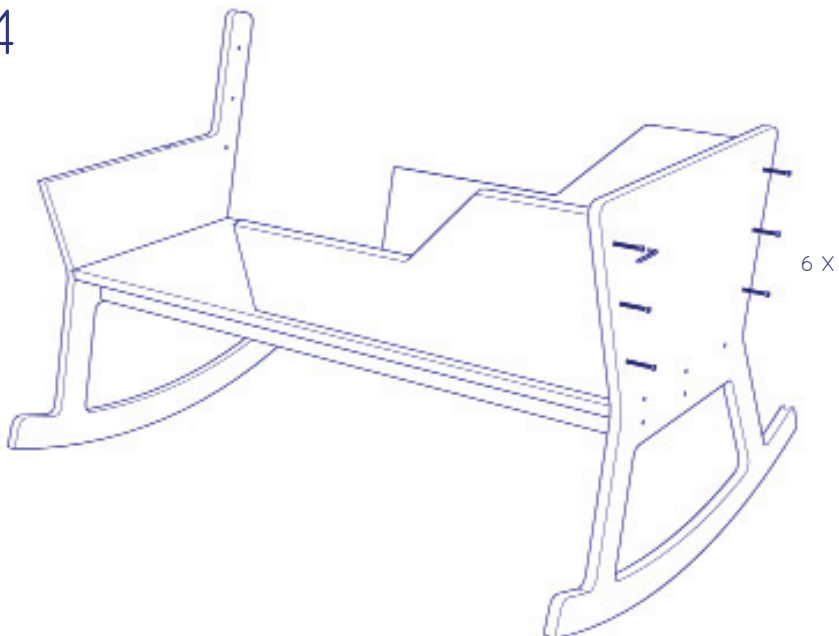
ROCKID

PRODUCT MANUAL

3



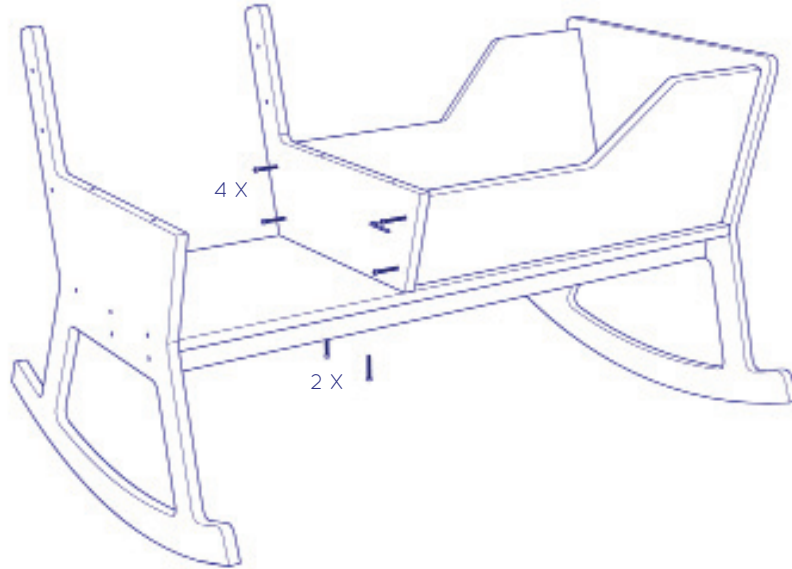
4



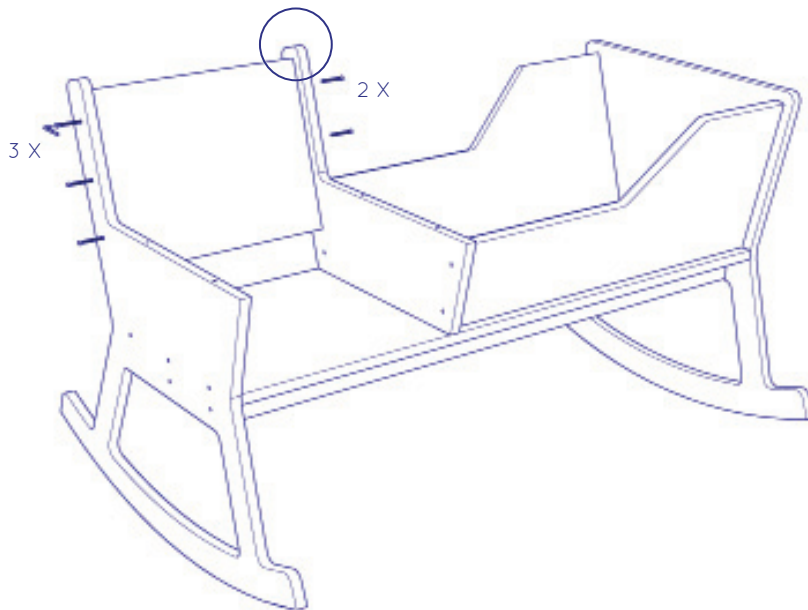
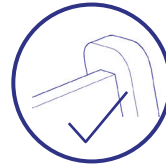
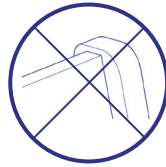
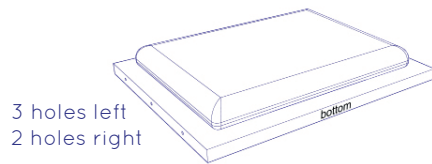
ROCKID

PRODUCT MANUAL

5



6



ROCKID

PRODUCT MANUAL

7

