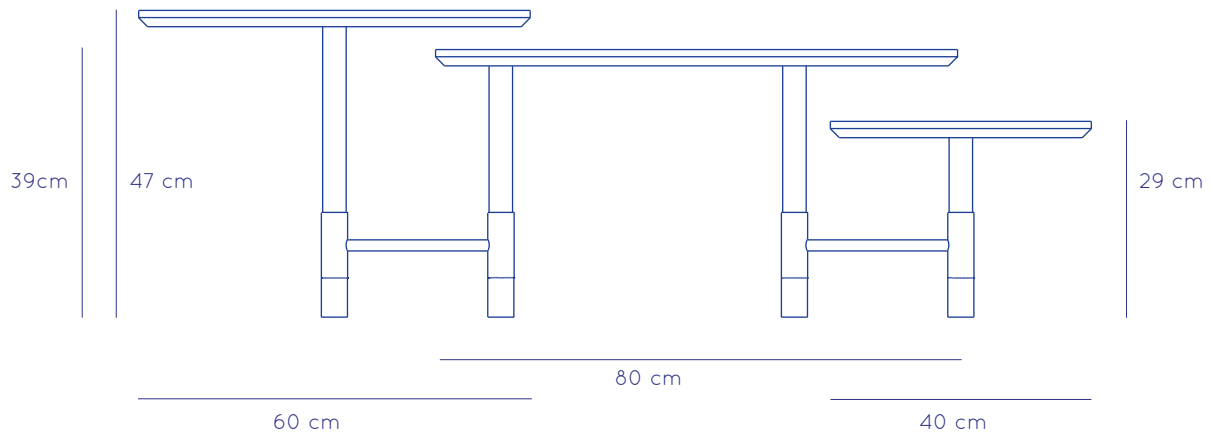


COFFEE-TABLE

PRODUCT MANUAL



To Assembly the coffee talbe:

Start with the large tabletop. Turn the tabletop upside down on a blanket. Place the metal part over the leg, screw the three legs in the tabletop. now put the other legs in de metal part. Turn the table over with two persons. screw the remaining tabletops on the legs.

Material:

The wood is treated with a lacquer.

Wipe of dry dirt with a dry or damp cloth.

made in The Netherlands



www.ontwerpduo.nl