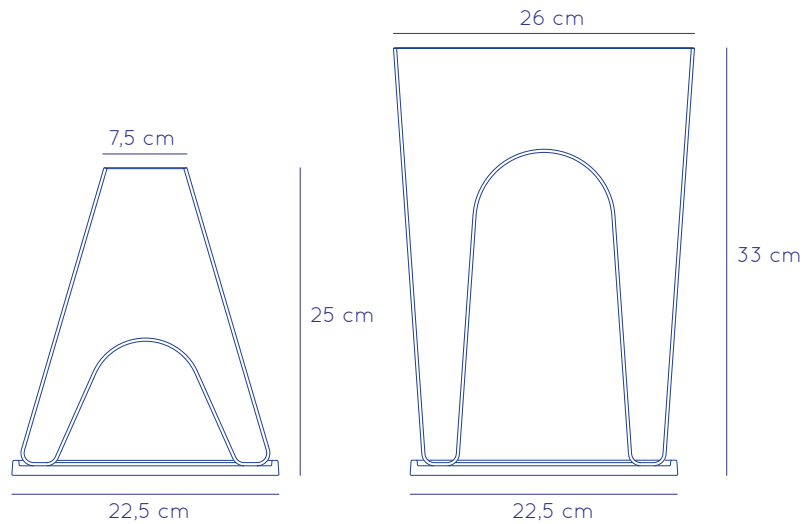


# BELL-JAR VASE

## PRODUCT MANUAL



### Cleaning:

The tray is treated with a lacquer.  
Wipe of dry dirt with a dry or damp cloth.  
Rinse the glass part with warm water and soap.

made in The Netherlands



[www.ontwerpduo.nl](http://www.ontwerpduo.nl)