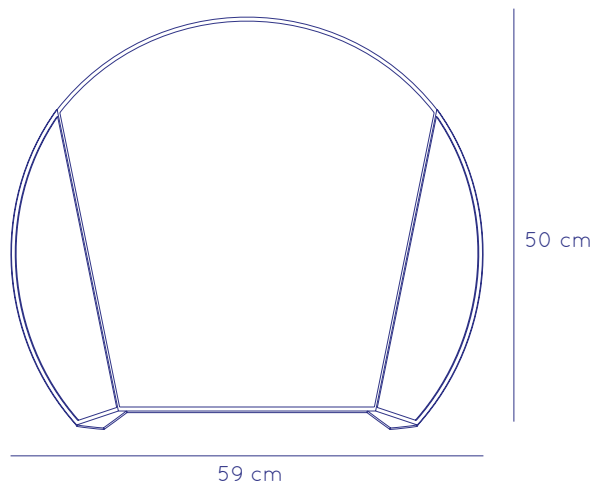
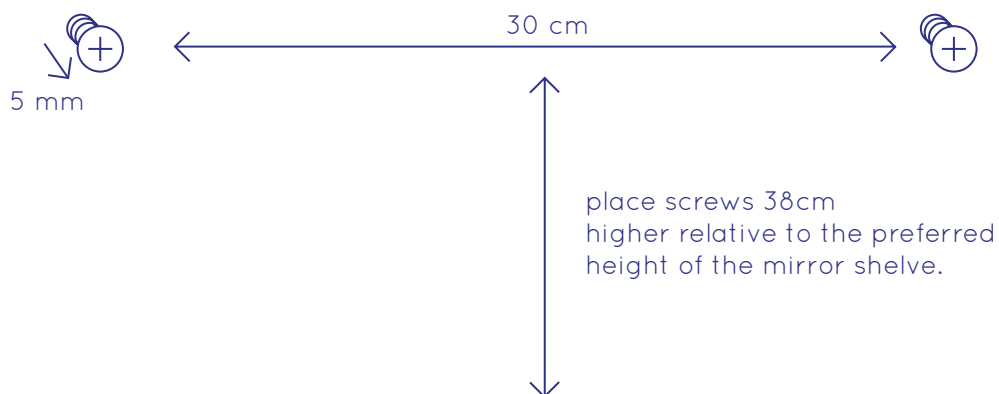


SPLIT MIRROR WALL

PRODUCT MANUAL



Place plugs and screws in a solid wall. It should be able to hold 5kg per screw. Distance between screws is 30cm. Make sure they are placed level. The screw should be screwed until the head still is 5-6 mm out of the wall. The bottom shelf will be 38 cm lower than the screws.



handmade in The Netherlands



www.ontwerpduo.nl